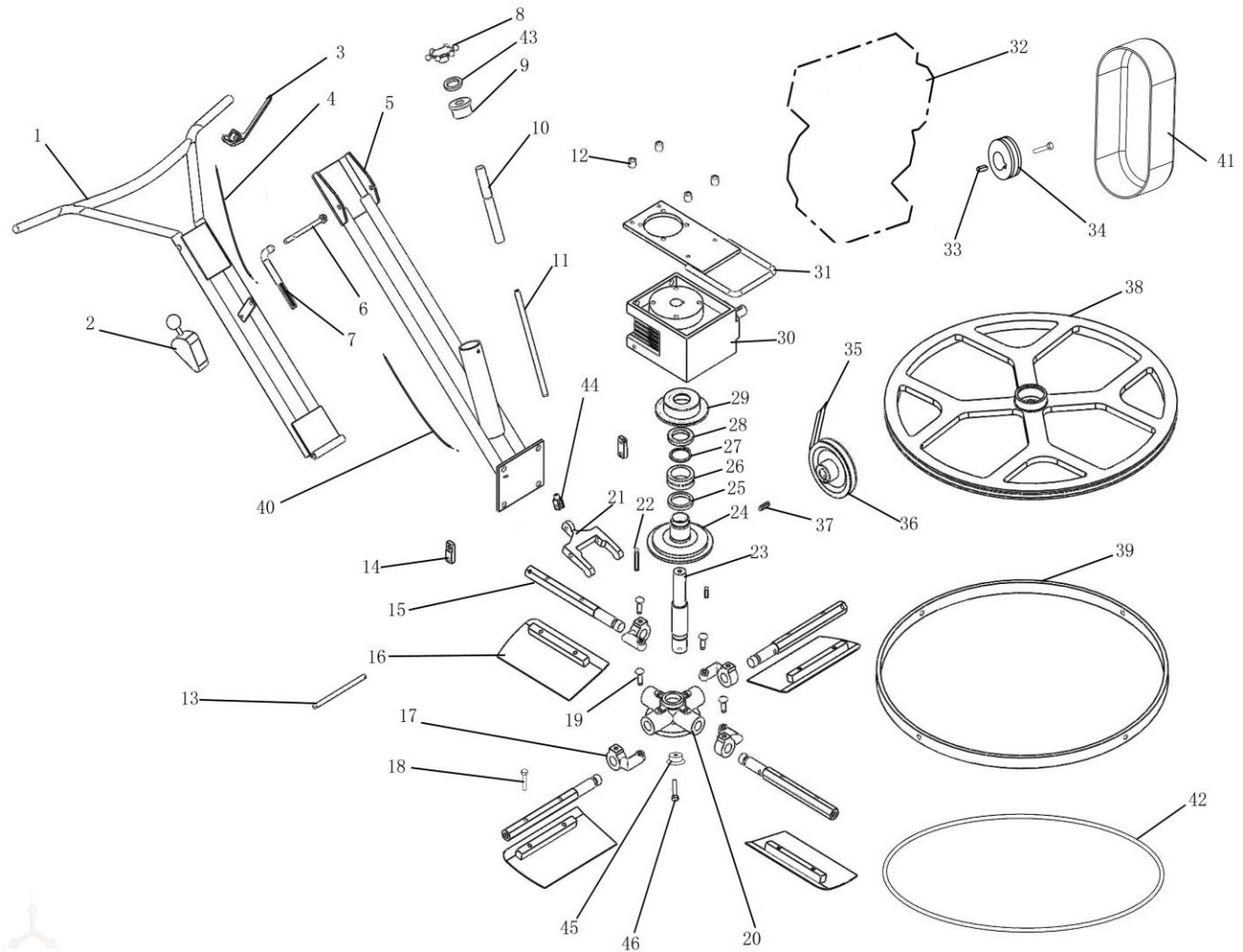


**Major components**

PART NO.	DESCRIPTION	Price Euro without VAT
BZEP600-001	Handle (above)	
BZEP600-002	Switch	
BZEP600-003	Dragline	
BZEP600-004	Throttle lever	
BZEP600-005	Handle (below)	
BZEP600-006	Connect screw, handle	
BZEP600-007	Clamping screw	
BZEP600-008	Adjusting handle	
BZEP600-009	Fixed seat	
BZEP600-010	Adjusting screw	
BZEP600-011	Screw stem	
BZEP600-012	Installing Gasket	
BZEP600-013	Shaft, knock pin	
BZEP600-014	Fixed plate, knock pin	
BZEP600-015	Blade fixer	
BZEP600-016	Blade	
BZEP600-017	Adjusting device	
BZEP600-018	Socket head bolt M8	
BZEP600-019	Adjusting screw	
BZEP600-020	Cross	
BZEP600-021	Knock pin	
BZEP600-022	Key6*6*25	
BZEP600-023	Spindle	
BZEP600-024	Below plate	

**MAXJONEL SRL**  
**CUI: RO21803460; J28/418/2007**  
**Str. Fratii Buzesti, 76A, Bals, judet Olt, 235100**  
**Comenzi: 0741 499 499 - 0757 101 819;**  
**Piese schimb: 0785 850 961**  
**comenzi@maxjonel.ro; [www.maxjonel.ro](http://www.maxjonel.ro)**



**Major components**

PART NO.	DESCRIPTION	Price Euro without VAT
BZEP600-025	Bearing 6808z	
BZEP600-026	Plane bearing 644808 NK45/20	
BZEP600-027	Clamp springφ18	
BZEP600-028	Plane bearing ASK3552-LS	
BZEP600-029	Plate	
BZEP600-030	Reduction box	
BZEP600-031	Engine mounting plate	
BZEP600-032	Engine	
BZEP600-033	Key6*6*20	
BZEP600-034	Clutch	
BZEP600-035	Belt A26	
BZEP600-036	Pulley	
BZEP600-037	Key6*6*30	
BZEP600-038	Pan (Aluminium)	
BZEP600-039	Fixed ring,	
BZEP600-040	Adjusting cable	
BZEP600-041	Belt Cover	
BZEP600-042	Rubber ring φ800, pan	
BZEP600-043	Plane bearing51110	
BZEP600-044	Stay wire guidance	
BZEP600-045	Spindle Washer	
BZEP600-046	Screw	
BZEP600-047	Pan (Iron)	

**MAXJONEL SRL**  
**CUI: RO21803460; J28/418/2007**  
**Str. Fratii Buzesti, 76A, Bals, judet Olt, 235100**  
**Comenzi: 0741 499 499 - 0757 101 819;**  
**Piese schimb: 0785 850 961**  
**comenzi@maxjonel.ro; [www.maxjonel.ro](http://www.maxjonel.ro)**

